

UPBLAST VENTILATORS



DESCRIPTON-

The HEE Belt-Drive up-blast ventilators are intended for use in laboratory fume hoods, industrial, commercial and public buildings where ventilation and corrosion resistance are of prime importance and service temperatures do not exceed 200 degrees Fahrenheit. The Ventilator housing is constructed of fiberglass reinforced plastic consisting of vinyl ester resin interior and a fire retardant polyester exterior. The fiberglass centrifugal wheel insures maximum airflow with a minimum of internal losses. All parts of the HEE wheel are hand lay-up construction utilizing only experienced fabricators and the highest quality materials, to assure the strangest, most reliable wheel construction possible. Completed wheel assembled are balanced, both statically and dynamically, on electronically controlled balancing machines. The necessary weight adjustments are made by removing excess material, or by permanently bonding fiberglass materials to the wheel. After completed ventilators are assembled, they are all given a run-in inspection prior to shipment. This enables us to locate and correct any minor misalignment that may have occurred during assembly, as well as check for proper bearing operation. All HPUV ventilators utilize shaft sleeves and neoprene shaft seals to assure all metallic parts are isolated from the corrosive airstreams. The bearings are grease lubricated, fully self-aligning ball bearing pillow blocks.

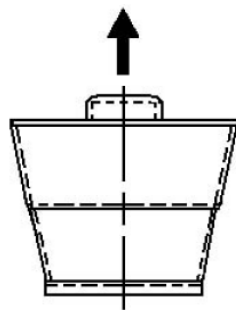
Performance Data

HEE certifies that all HPUV series ventilators contained herein have been tested in accordance with AMCA 210-74 test code and are guaranteed by the manufacturer to deliver rated performance.

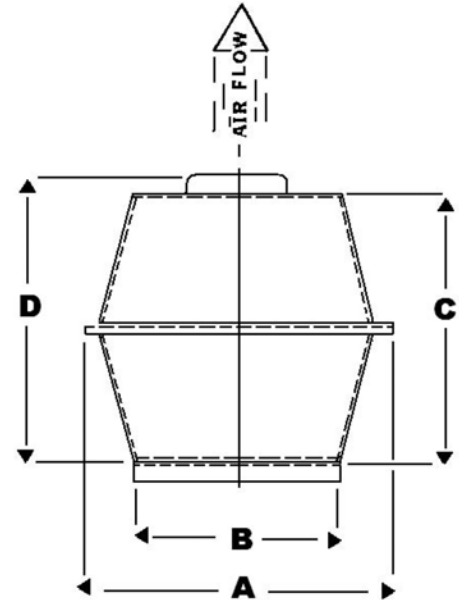
Model	CFM Air Delivery At RPM Shown									
	Free Air	1/4" SP	1/2" SP	5/8" SP	3/4" SP	1" SP	1 1/8" SP	1 1/2" SP	Fan RPM	Motor HP 1725 RPM
HPUV 15	1780	1445	1045	720	145	-	-	-	990	1/3
	2030	1750	1420	1240	995	-	-	-	1130	1/3
	2235	1985	1690	1540	1375	870	-	-	1245	1/3
	2560	2340	2100	1965	1835	1555	1380	415	1425	1/2
	2940	2750	2550	2440	2335	2095	1960	1550	1635	3/4
HPUV 20	3205	2585	1260	-	-	-	-	-	670	1/3
	3680	3160	2435	1800	-	-	-	-	770	1/2
	4205	3750	3255	2890	2390	-	-	-	880	3/4
	4685	4265	3865	3640	3335	2465	-	-	980	1
	5310	4940	4630	4440	4260	3775	3435	-	1110	1 1/2
	5830	5480	5185	5030	4850	4470	4230	3230	1220	2
HPUV 24	4860	4005	-	-	-	-	-	-	540	1/2
	5570	4880	4060	3280	-	-	-	-	620	3/4
	6165	5590	4845	4425	3735	-	-	-	685	1
	7020	6550	5840	5565	5240	4045	-	-	780	1 1/2
	7740	7330	6690	6385	6140	5470	5035	-	860	2
	8820	8490	8045	7745	7450	7000	6780	5655	980	3
HPUV 30	7895	6490	4435	-	-	-	-	-	490	3/4
	8700	7440	5660	4710	-	-	-	-	540	1
	9990	8885	7665	6780	5930	-	-	-	620	1 1/2
	10960	9970	8945	8315	7525	5950	4150	-	680	2
	12570	11725	10840	10375	9860	8520	7540	3880	780	3
	14820	14115	13350	13000	12620	11790	11310	9420	920	5

Model	(Dimensions in inches)				Shaft DIA	Wheel DIA	Shipping Weight
	A	B	C	D			
HPUV 15	33	25	21	25	1	18 1/4	64
HPUV 20	38	28	22	27	1	20	147
HPUV 24	51	39	27	31	1 7/6	24 1/4	277
HPUV 30	59	41	35	36	1 15/16	30	439

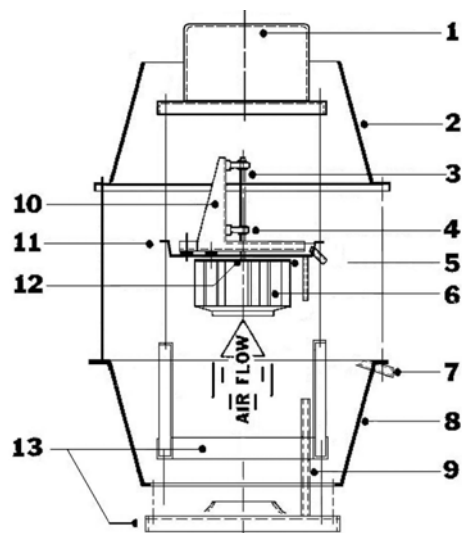
HPUV24 and HPUV30 suitable for Vertical roof mounting only



HPUV 15 CONFIGURATION



Item	Description	Qty
1	Motor Drive	1
2	Upper Windband	1
3	Wheel Shaft	1
4	Bearings	2
5	Vibration Isolators	4
6	Centrifugal Wheel	1
7	Cooling Tube	1
8	Lower Windband	1
9	Electrical	1
10	Motor- Bearing Plate	1
11	Top Plate	1
12	Shaft Seal	1
13	Base Assembly	1





Sales Office: 2143 Convention Center Way Ste. 180, Ontario, CA 91764
Phone (909) 230-6120 * Fax (909) 230-6159
Corp Office & Manufacturing: 16605 Koala Road, Adelanto, CA 92301
Phone (760) 530-1409 * Fax (760) 530-1419
www.hee-llc.com

REPRESENTED BY

With Locations Nation Wide In All Major Market Areas
Visit us on-line at www.hee-llc.com